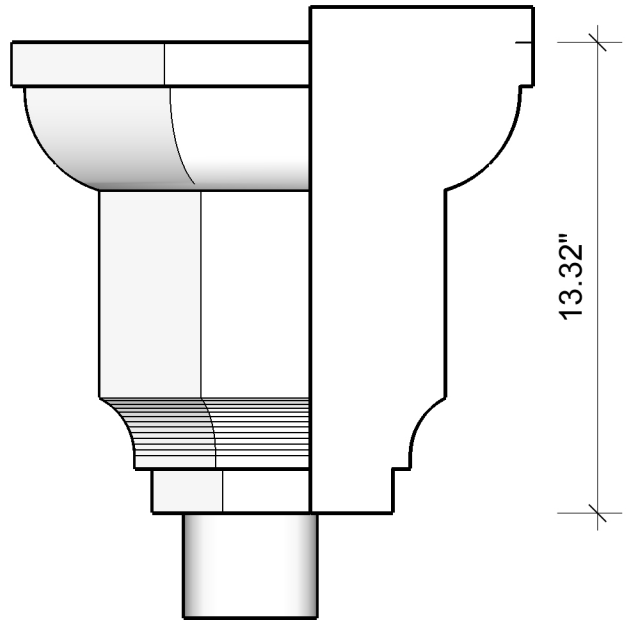
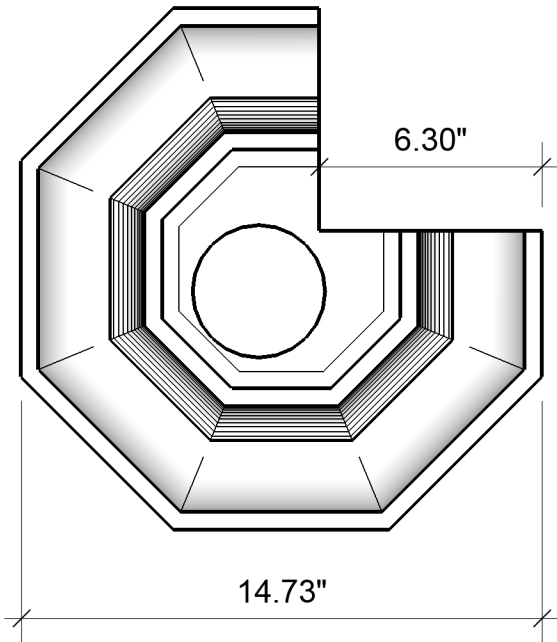
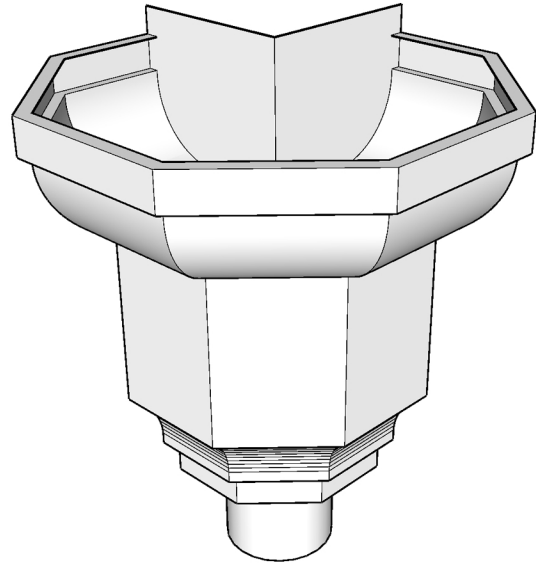
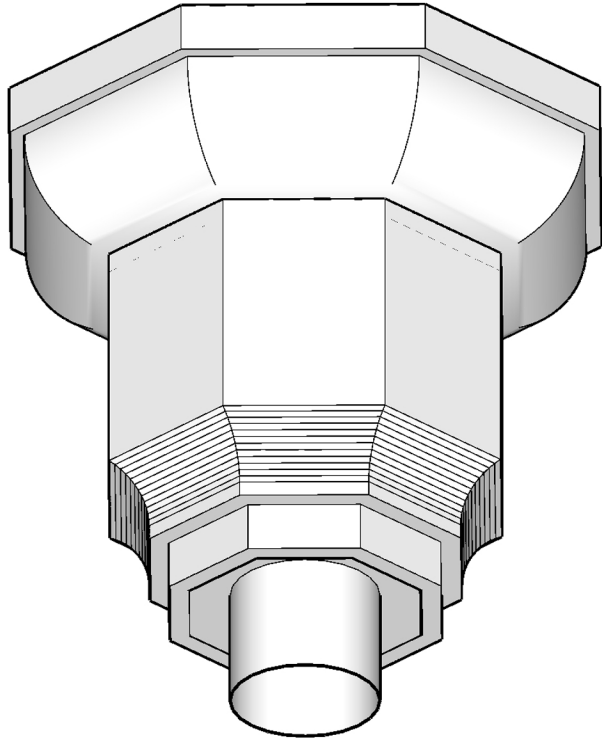


The Regal Conductor Head Outside Corner

Available in copper, zinc, lead coated copper, galvalume, steel and aluminum.

Rivets will be used to assemble galvalume, steel and aluminum items.



REVISIONS	
MM/DD/YY	REMARKS
1	...ORIGINAL DRAFT OF DRAWING
2	...
3	...
4	...
5	...