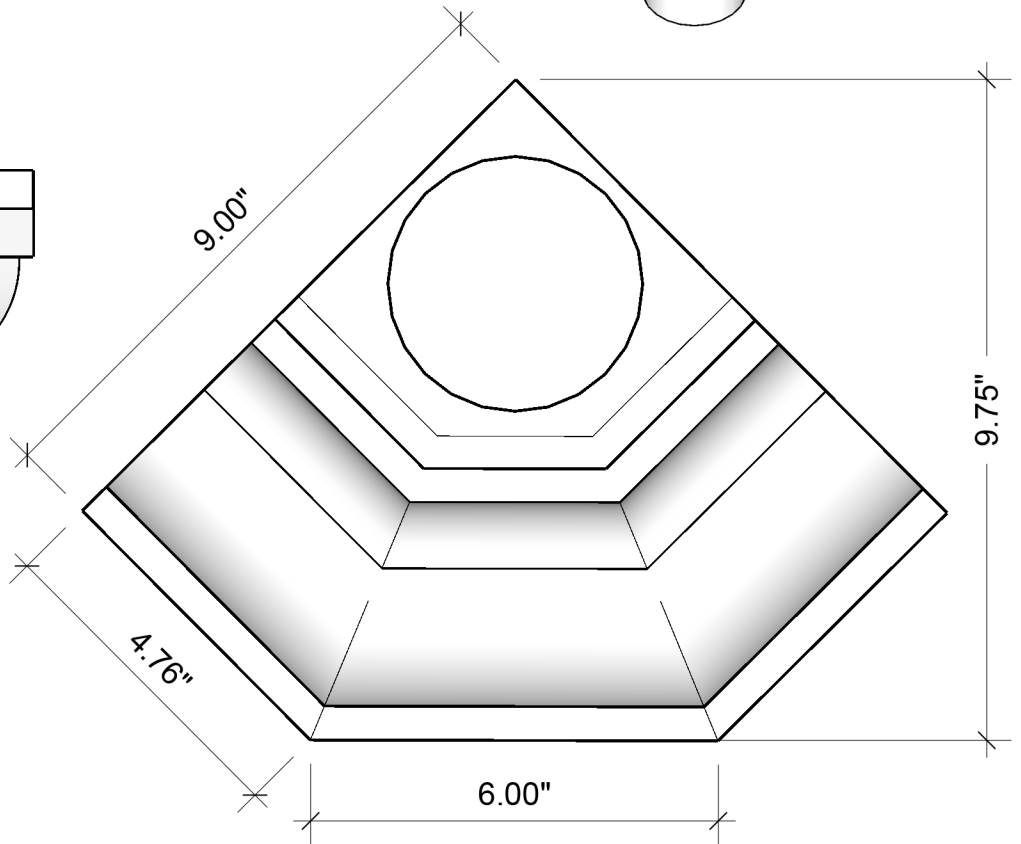
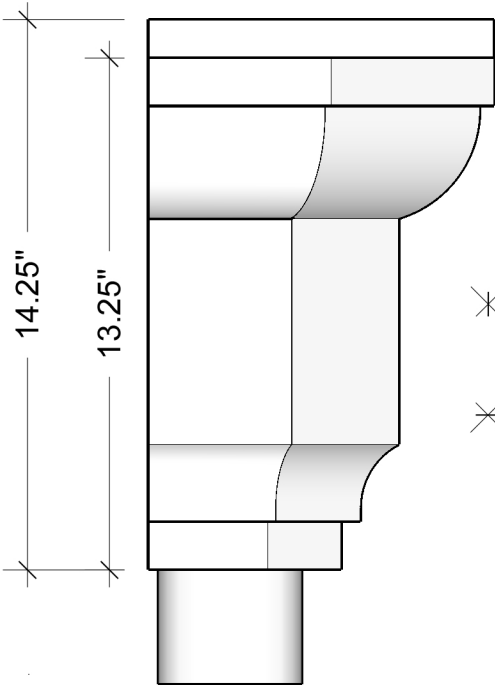
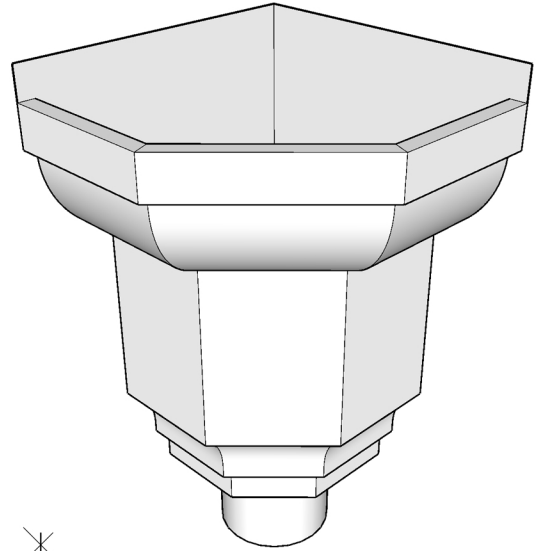
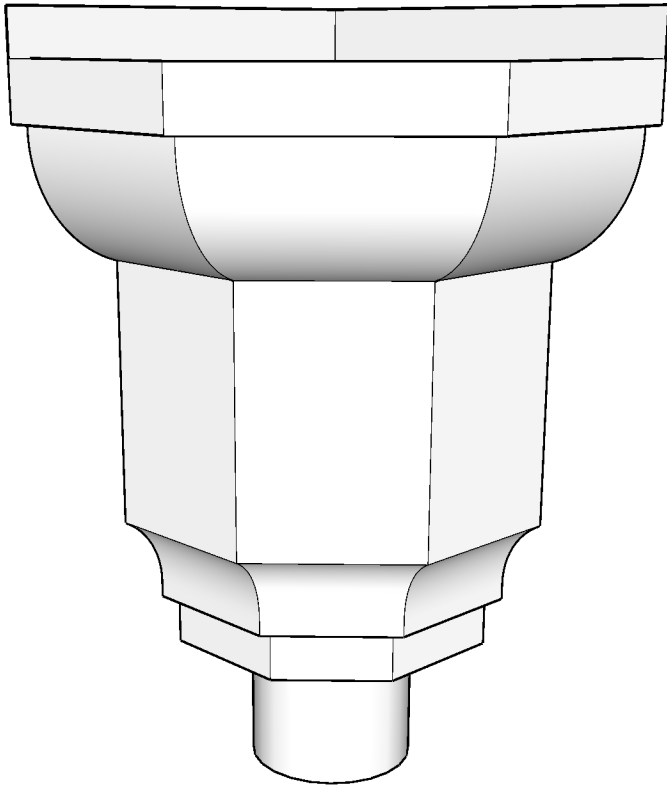


The Regal Conductor Head Inside Corner

Available in copper, zinc, lead coated copper, galvalume, steel and aluminum.

Rivets will be used to assemble galvalume, steel and aluminum items.



1310 E. Cornwallis Rd.
Durham, NC - 27713
(919) 544-8887 - Fax: 544-8898
info@kmsheetmetal.com - www.kmsheetmetal.com

Regal Conductor Head
Inside Corner

REVISIONS	
MM/DD/YY	REMARKS
1	...ORIGINAL DRAFT OF DRAWING
2	...
3	...
4	...
5	...

D 001