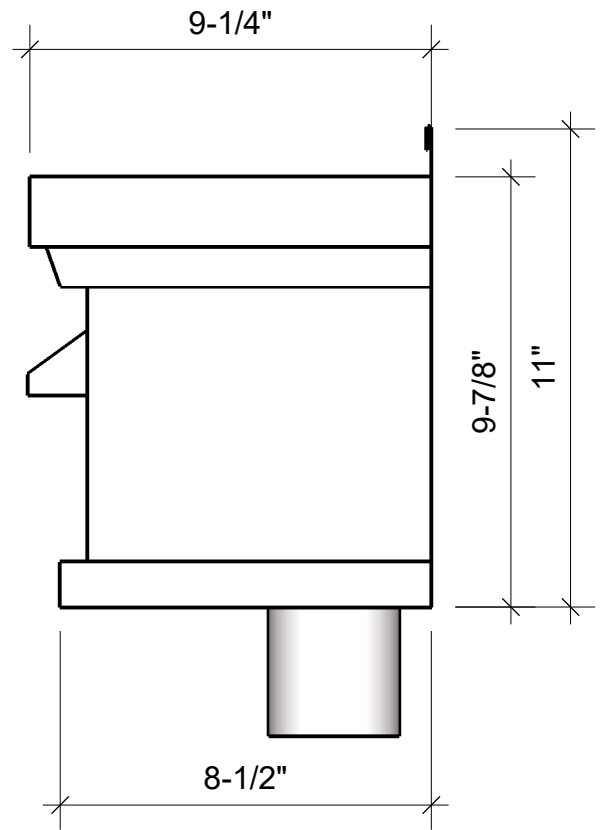
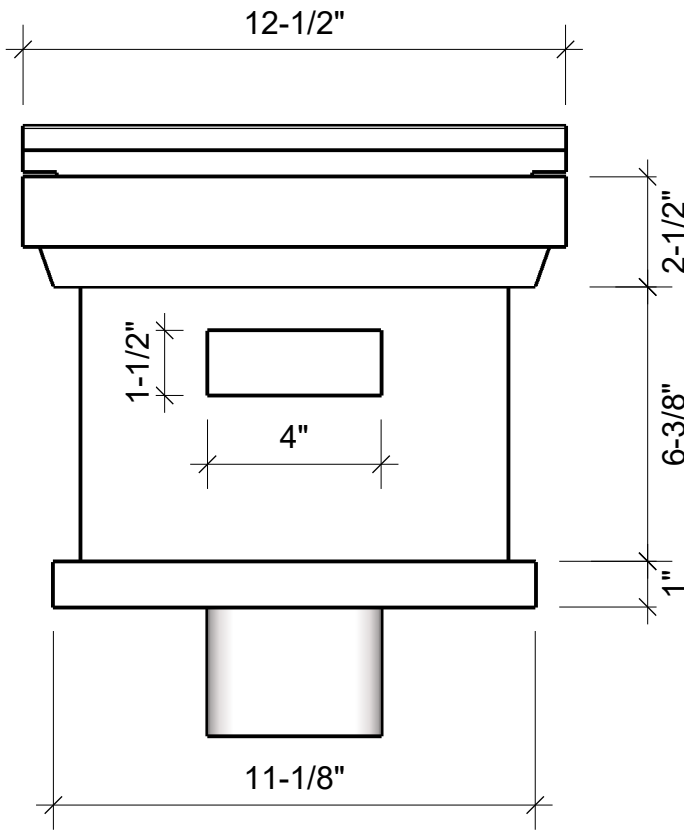
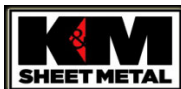


OPTIONAL BUILT-IN OVERFLOW



NOTES:  
 AVAILABLE IN COPPER, LLC, ZINC, ALUMINUM, GALVALUME, KYNAR FINISH STEEL.  
 AVAILABLE WITH OR WITHOUT OVERFLOW DESIGN  
 LARGE BASE TO ALLOW FOR LARGER SIZE DOWNSPOUT OPTIONS  
 CONDUCTOR HEAD CAN BE SCALED IN WIDTH AND DEPTH TO MEET SPECIFIC NEEDS



1310 E. Cornwallis Rd.  
 Durham, NC 27713  
 P-(919) 544-8887 F- 544-8898  
 info@kmsheetmetal.com - www.kmsheetmetal.com

**THE INDUSTRIAL**

Conductor Head

REVISIONS	
MM/DD/YY	REMARKS
1 7/06/2016	...ORIGINAL DRAFT OF DRAWING
2	...
3	...
4	...
5	...

D 001